



The Nordic Swan Ecolabel is the official ecolabel in the Nordic region and the EU Flower is the official ecolabel in Europe. Furniture certified with these labels is assessed based on the product's entire life cycle and the environmental considerations that arise along the way – from raw materials, production and consumption, to waste, recycling and reuse.

The goal is to reduce the total environmental impact from production to consumption through strict requirements for, among other things, the environment, chemicals, and sustainable development.

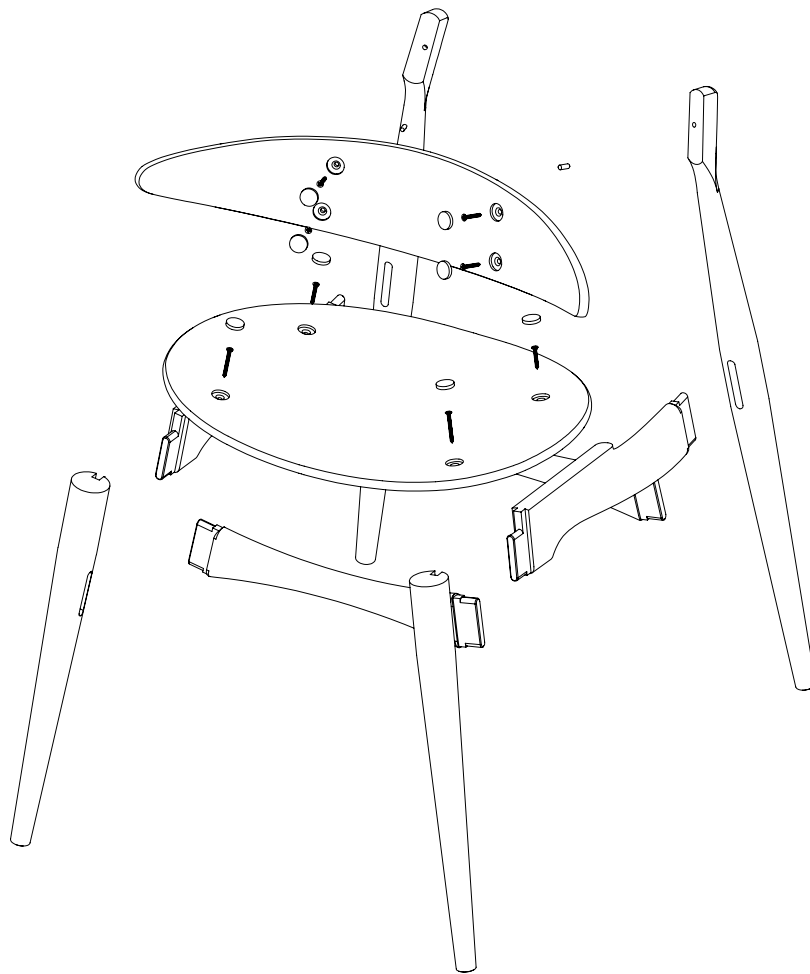
The Nordic Swan Ecolabel and the EU Ecolabel are both important tools for promoting a circular economy and a sustainable future that contribute to the UN's Sustainable Development Goals. Carl Hansen & Søn supports this by developing sustainable, timeless, quality furniture created to last for generations, be bought and sold on, and be disassembled and disposed of in relevant fractions when the time comes.

In this way, we strive to leave nothing but beautiful furniture and a legacy of uncompromising craftsmanship.



CARL HANSEN & SØN

CH33T – DINING CHAIR



Carl Hansen & Søn offers spare parts for our EU Ecolabelled furniture for a period of at least 5 years. The specific product has been tested according to EN 16139:2013 and we do not use flame retardants and biocides. Moving parts can be replaced and spare parts can be requested through an approved CHS dealer or our customer service. Contact information can be found here <https://www.carlhansen.com/en/contact-us>